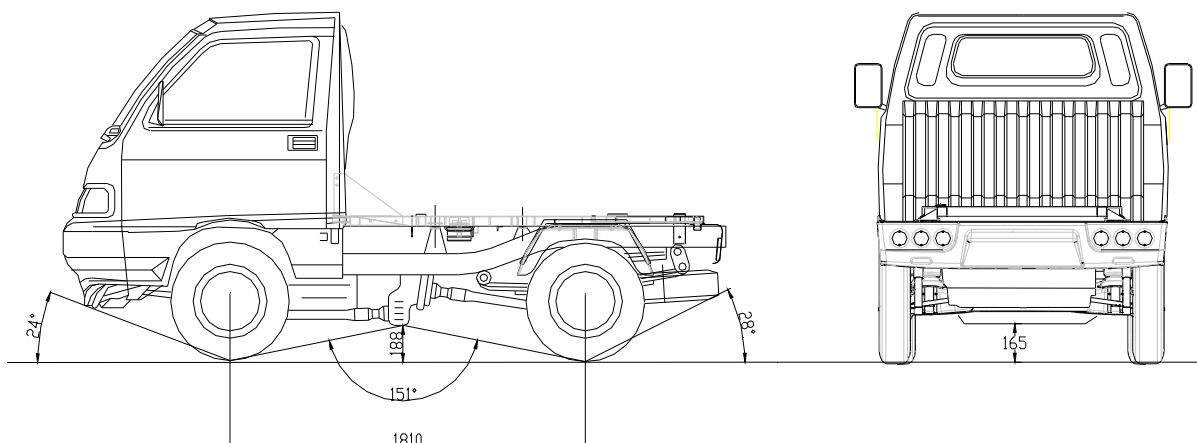




PIAGGIO PORTER 4X4

- PART TIME -



TECHNICAL VARIATIONS COMPARED TO THE ORIGINAL PIAGGIO VEHICLE

WEIGHTS	
TOTAL WEIGHT OF THE 4WD TRANSFORMATION	68 Kg
ALLOCATION OF WEIGHT ON FRONT AXLE	50Kg
ALLOCATION OF WEIGHT ON REAR AXLE	18Kg
4WD CONTROL LEVER	
FUNCTION (variable with vehicle on the move)	POSITION
LOW RANGE FOUR-WHEEL DRIVE	4x4L
NORMAL DRIVE (rear traction)	4x2H
HIGH RANGE FOUR-WHEEL DRIVE	4x4H
NEUTRAL	N
HEIGHT (empty vehicle)	
MINIMUM GROUND CLEARANCE	165 mm
MINIMUM GROUND CLEARANCE AT MIDPOINT	188 mm

ALL OTHER FEATURES REMAIN UNCHANGED

OFFICINE CUCINI s.r.l.

50021 Barberino Val d'Elsa (FI) Via Caduti di Nassiriya 7/a

Tel. 055/8073284 – Fax 055/8073519

Web site: www.cucini.it - e-mail: info@cucini.it

Sede legale: 50052 Certado (FI) Via Delle Città, 15